

**Hornady**<sup>®</sup>  
*Accurate. Deadly. Dependable.*

**OWNER'S MANUAL**  
**MEDIA SIFTER**



Item No. 050207

Instructional videos for Hornady<sup>®</sup> reloading products are available at [hornady.com](http://hornady.com).

# INTRODUCTION

The Hornady Media Sifter has been designed to quickly and easily separate tumbling media from cartridge cases. Features include a clear lid to monitor tumbling action and a locking handle to support the base when loading. Plus, the interlocking sifter drum can be conveniently loaded and unloaded. Follow these instructions for safe and maintenance-free operation.

## GENERAL

- Read manual and become comfortable with the operation before using the Media Sifter.
- Use Media Sifter on a flat, dry surface.
- Do not use chemicals other than those recommended in the Hornady Rotary Tumbler and Hornady M1 Case Tumbler user manuals.
- Do not use with loaded ammo.
- Do not expose Media Sifter to prolonged periods of direct sunlight.

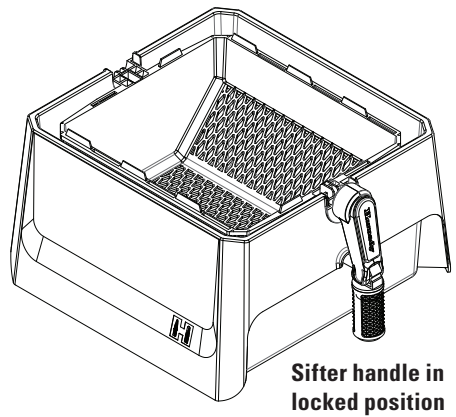
## OPERATING INSTRUCTIONS

After unpacking the Media Sifter, set the unit on a solid, flat surface. Become familiar with how the unit assembles and operates before adding media and cartridge cases.

The Media Sifter consists of a base, clear lid, and two sifter drum halves.

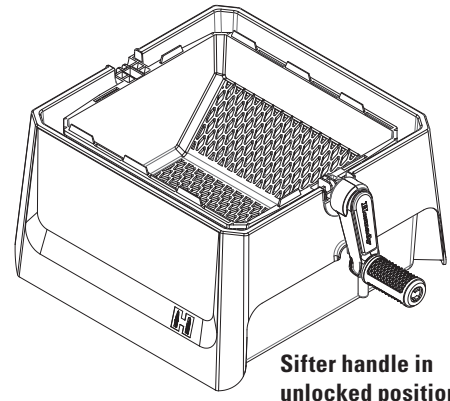


To begin separating cartridge cases from media, place the sifter drum with the attached handle into the base. Rotate the handle down to lock the pin into the base and prevent the sifter drum from rotating. If cartridge cases were tumbled with dry media (i.e. corn cob or walnut), pour the contents of the tumbler into the sifter drum. If cartridge cases were tumbled in wet media (i.e. stainless-steel pins), pour most of the water out of the tumbler before pouring the contents into the media sifter drum.



**Sifter handle in locked position**

Place the top half of the sifter drum over the lower half by aligning the tabs and slots on each half. Place the lid over the base to hold the two halves together. Place one hand on the lid, and unlock the sifter drum by rotating the handle up with the other hand. While holding the lid in place, begin rotating the sifter drum by turning the handle. It may take numerous rotations to completely clear the media from the cartridge cases.

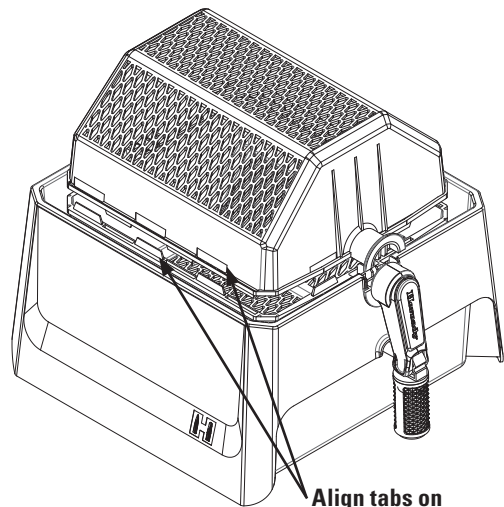


**Sifter handle in unlocked position**

When finished, rotate the handle to the bottom and lock the handle into the base. Remove the lid and top half of the sifter drum. The bottom half of the sifter can now be easily removed.

**NOTE:** If using the Hornady Case Cleaning Solution, it is good practice to rinse the cases with water to remove all residue. The cleaning solution will not damage the cases, but cases may discolor over time if stored with residue on them.

Wet cases should be placed in the Hornady Case Dryer (sold separately as Item No. 053310) or laid out over a towel to dry.



**Align tabs on sifter drum to assemble**

If using water and stainless-steel pins, the pins can be separated from the water using the included mesh screen.

**Option 1:** Place the mesh screen over a small bucket or container (not included). Pour the water and pin solution into the mesh screen. If the screen is above the water, the pins can be left in the screen to dry. If the pins are submerged, remove the water so pins can dry.

**Option 2:** Transfer the water and pin solution from the base of the Media Sifter into a bucket or container (not included). Place the mesh screen over the bottom half of the sifter drum and place it into the base. Pour the wet pins into the mesh screen and allow the pins to dry.

## Care and Maintenance

After use, the tumbler drum should be properly cleaned and dried before storing in a cool, dry location.

The stainless-steel tumbling pins should be properly dried and stored in a cool, dry location.



**Hornady**<sup>®</sup>  
*Accurate. Deadly. Dependable.*

P.O. Box 1848, Grand Island, Nebraska 68802-1848  
308-382-1390 • 800-338-3220 • Fax: 308-382-5761  
[www.hornady.com](http://www.hornady.com) • [Hornady.com/contact\\_us](http://Hornady.com/contact_us)